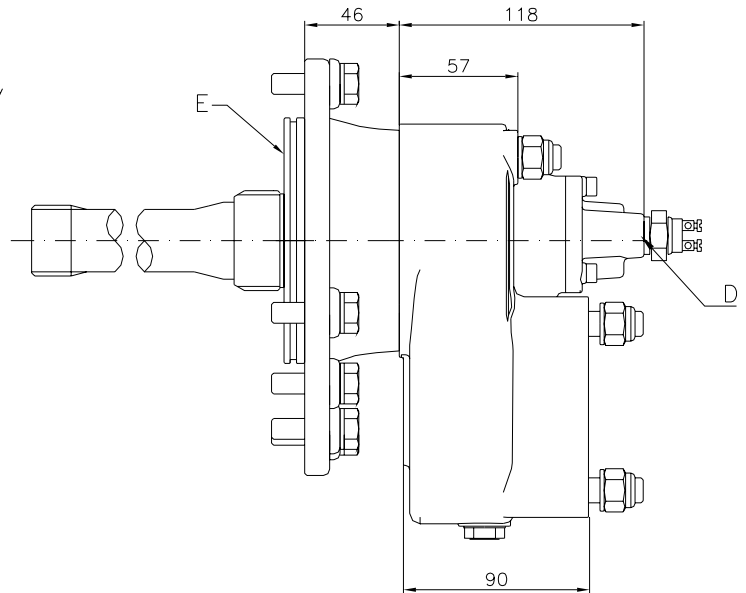
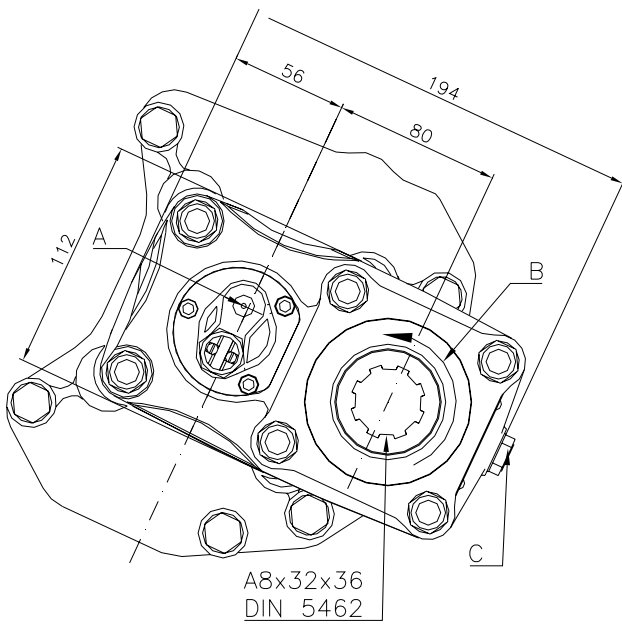


Mercedes G210- G260



TECHNICAL DATA

Torque: Continuous: 300 Nm.

Intermittent: 420 Nm.

Power: 42 H.P. at 1.000 rpm.

Weight: TF: 14,1 kg. TP:16.6 kg.

Mounting side: Back

A.- Air connection, thread 1/4" GAS

B.- Rotation

C.- Oil drain plug.

D.- Passing contact switch.

E.- Lubricating pump cover. Use only in transmissions G210 to G260 manufactured from 06/2004

T. de F. - P.T.O.

T*05500

Gearboxes

G210

G240

G260

Ratio

Normal 1:1.120

Normal 1:1.350

Normal 1:1.630