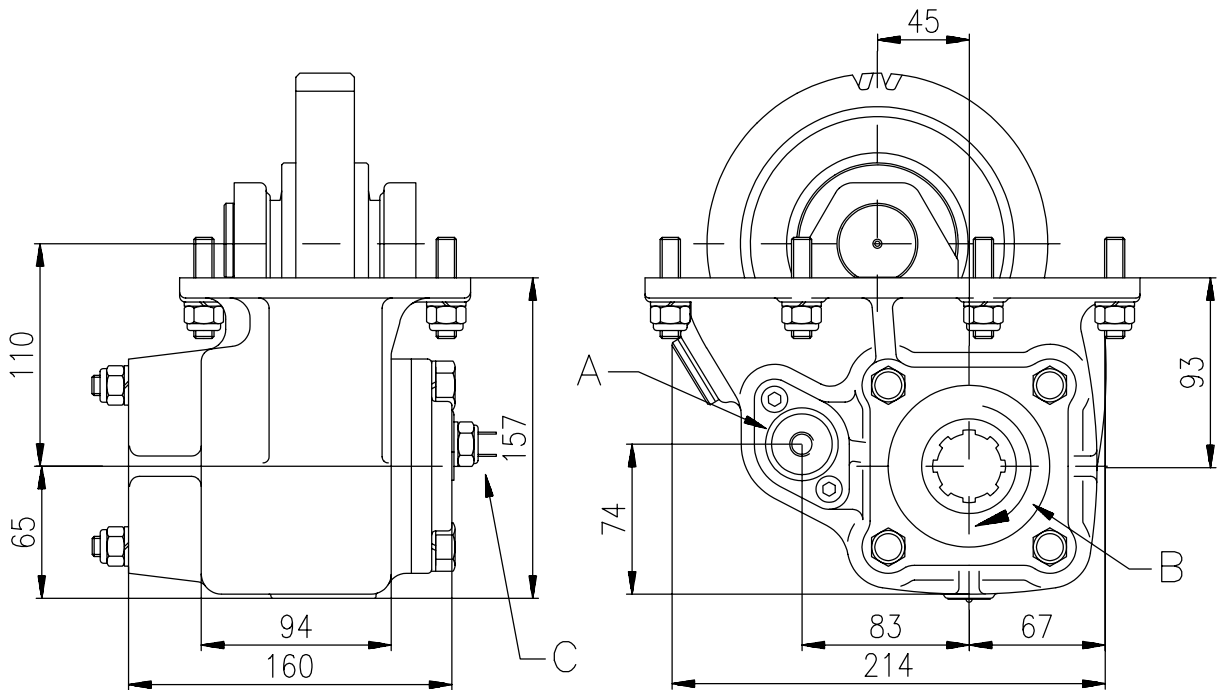


Renault B-18 B9-150



A.- Air connection, thread 1/4" GAS
 B.- Rotation
 C.- Indicator switch

TECHNICAL DATA

Torque: Continuous: 350 Nm
 Intermittent: 490 Nm
 Power: 50 H.P. at 1.000 R.P.M.
 Weight: TF. 19.3 kg. TP: 21.8 kg..
 Mounting side: Right.

T. de F. - P.T.O.
Tf04005

Cajas de Cambios - Gearboxes
 B9-150
 B-18

Relaci n - Ratio
 1:1,26
 Normal: 1:1,26